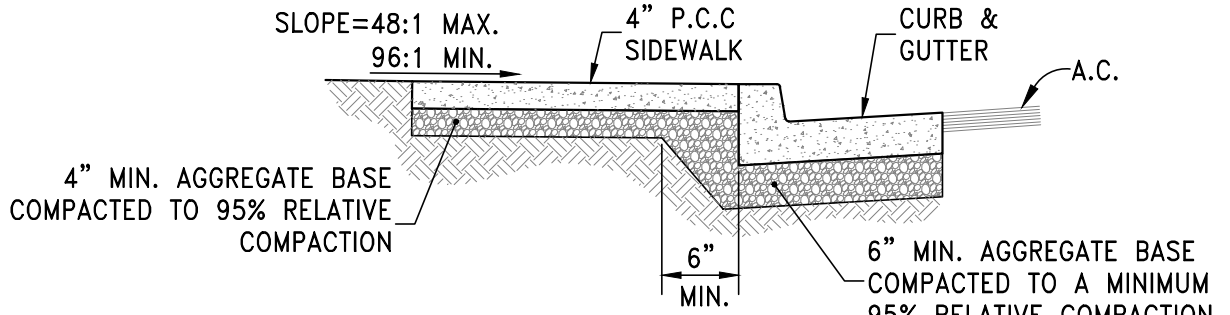
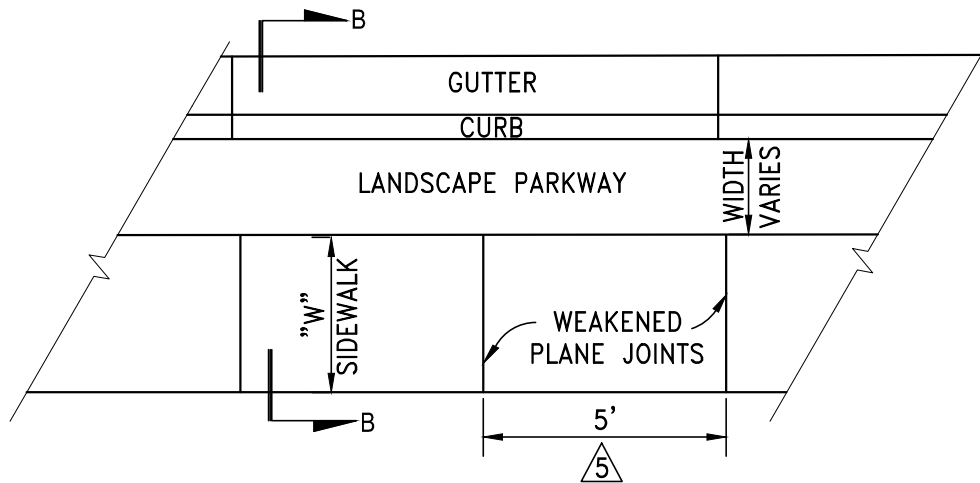


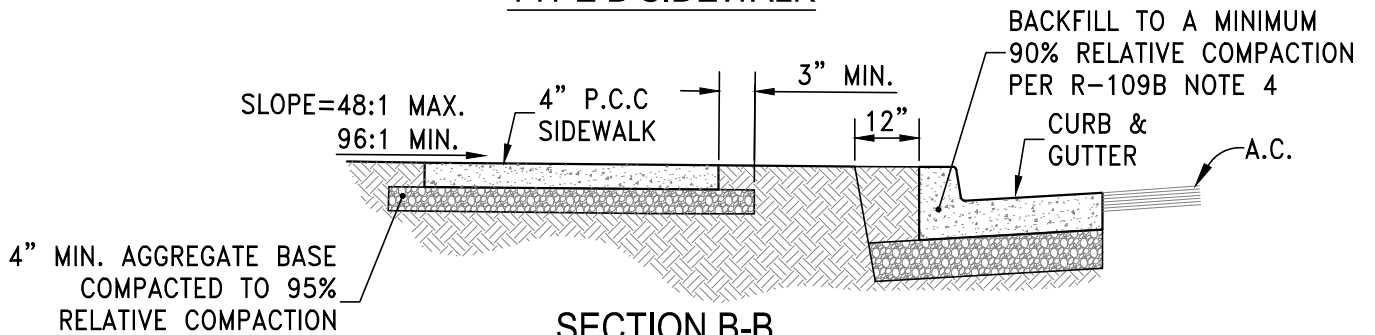
TYPE A SIDEWALK



SECTION A-A



TYPE B SIDEWALK



SECTION B-B



STANDARD DETAILS FOR PUBLIC WORKS CONSTRUCTION

DRAWING No.

SIDEWALK DETAIL

R-104A

APPROVED BY: KK DATE: 2/2026